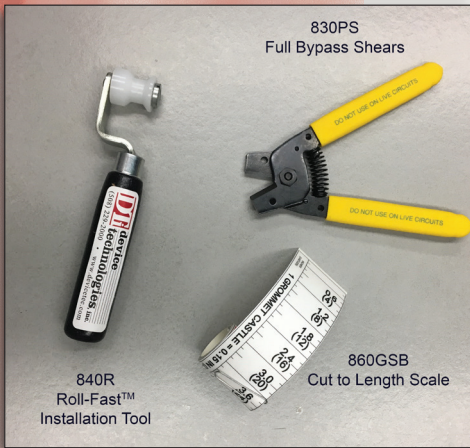


SpringFast®

SL-FST Transit & Rail Series



Spring-Fast SL-FST Transit & Rail Series is the fastest, safest, most reliable way to protect wires, cables, and tubing from abrasion. It locks on with finger pressure in seconds, eliminating solvents, adhesives, ancillary materials, and volatile organic compounds (VOC's) while installing in half the time of traditional nylon grommets. It is ideal for demanding Transit and Rail applications and meets the strict testing requirements of EN 45545-2.

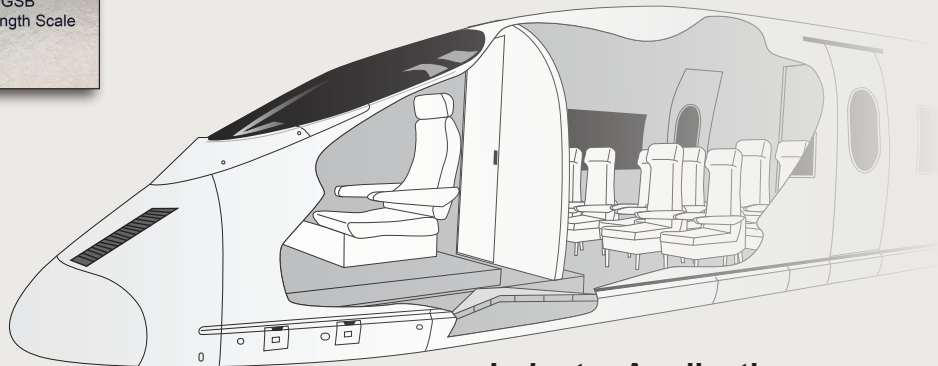
SL-FST is fully encapsulated in a flexible non-halogen, flame retardant, low smoke, low corrosive, and low toxic thermoplastic compound for added abrasion protection. In addition to use on railway vehicles and control systems, the SL-FST can be deployed in a variety of other high performance applications such as aircraft interiors, avionics, medical equipment, telecom and military vehicles.

Benefits:

- 49% Cost savings (installs for half the cost of plastic MS21266)
- 9.5x Productivity increase
- Highest standards of performance
- Improved safety – no toxic adhesives/solvents

Features:

- Eliminates installation adhesives and cleaning solutions while improving productivity
- RoHS and DFAR compliant
- Multi-axis flexibility for flanged holes, inside and outside corners
- Indoor and outdoor use
- Continuous edge protection
- Excellent resistance to abrasion, water absorption, and low and high temperatures
- Improves ergonomics during assembly



Industry Applications:

- Railway
- Aircraft Interiors
- Medical
- Military
- Automotive
- Aerospace
- Telecommunication
- General Industrial



Spring-Fast SL-FST Transit and Rail Series Specifications and Ordering Options

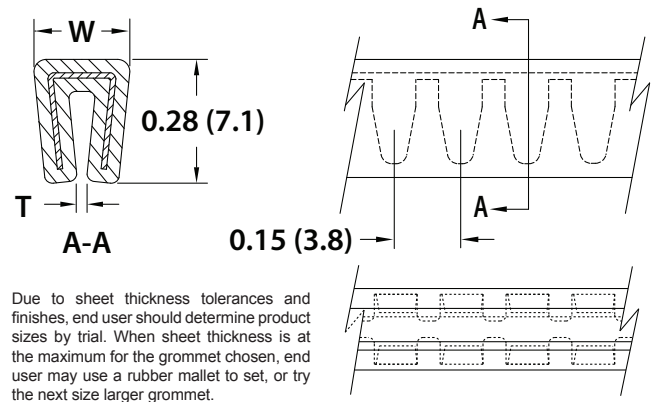
Description	Specification	Test Standard
Axis Conformity	Multi	-
Substrate	Stainless Steel	ASTM A 666-03
Finish	TPE	-
Abrasion Resistance	No abrasion wear, weight, or dielectric change at 280,800 cycles	
Flammability	VW-1 EN 45545-2	IEC-332-3, IEEE 383 Flame test ratings, EN ISO 5658-2 CFE (kW/m2)
Cone Calorimeter	EN 45545-2	ISO 5660-1
Toxicity	EN 45545-2	EN ISO 5659-2 FTIR
Smoke Density - Non Halogen	EN 45545-2 ASTM E662 Optical Density Test Results: Ds @ 4.0 min (non-flaming): 0.5 Ds @ 4.0 min (flaming): 1.0	EN ISO 5659-2, ASTM E662

EN 45545-2		
Requirement	Application	Level
R1	Interior surfaces Window frames Display screens	HL2
R2	Limited surfaces	HL2
R3	Strips, vertical cover strips on walls	HL3
R6	Passenger seat shell interior (coverings)	HL2
R9	Air bags for pneumatic suspension, tires, brakes, parts of the drive	HL3
R19	Seats in staff area	HL3
R21	Upholstery assembly for seat & mattresses	HL3

Other Requirement Sets testing to be determined.

Sizes:

Product Size	Sheet Thickness "T"		Width "W"	
	Inches	(mm)	Inches	mm
0	0.020 - 0.030	(0.5 - 0.8)	0.20	(5.1)
1	0.029 - 0.045	(0.7 - 1.1)		
2	0.044 - 0.056	(1.1 - 1.4)		
3	0.055 - 0.069	(1.4 - 1.7)		
4	0.069 - 0.090	(1.7 - 2.3)	0.28	(7.1)
5	0.089 - 0.114	(2.3 - 2.9)		
6	0.113 - 0.130	(2.9 - 3.3)		



Ordering Examples

SL-FST Series on Reel

SL-FST4 - 0025-ER 0210
 12 Gauge Aluminum Panel
 25" (7.6m) Reel
 Reel
 Encapsulate: TPE Color: Black

SL-FST6 - 0053-EC 0210
 0.125" (3.56mm) Panel
 53 Castles, 53 x 0.15 - 7.95"
 Factory Precut Length
 Encapsulate: TPE Color: Black

Additional Ordering Options:

- 25' (7.6m), 100' (30.4m), 500' (152m) reels
- Factory pre-cut lengths
- Bulk or private branded kits
- #840R Roll-Fast™ Installation Tool
- #830PS Full Bypass Shears
- #860GSB Cut to Length Scale

ISO 9001:2015 • AS9100D / ISO 9001:2015 Certified • Registration No. AS19.4480
 Certified Vendor to Fortune 100 & 500 OEMs, JIT w/ MAJOR OEMs Worldwide, supported by International Distribution



USA Toll Free: +1-800-669-9682
 Phone: +1-508-229-2000, x 130
 Fax: +1-508-229-2622
 Email: customerservice@devicetech.com
 Website: www.devicetech.com



Phone: +49 40 350 85 128
 Fax: +49 40 350 85 129
 Email: customerservice@dti-devicetech.eu
 Website: dti-devicetech.eu